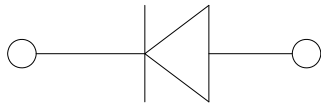
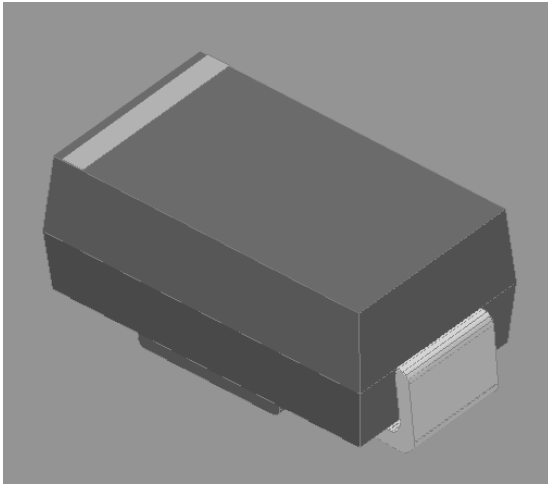




ES1A THRU ES1K

RoHS
COMPLIANT



Typical Applications

For use in high frequency rectification of power supplies, inverters, converters, and freewheeling diodes for consumer and telecommunication.

Mechanical Data

Package: DO-214AC (SMA)

Molding compound meets UL 94 V-0 flammability rating, RoHS-compliant, halogen-free

Terminals: Tin plated leads, solderable per J-STD-002 and JESD22-B102

Polarity: Cathode line denotes the cathode end

Maximum Ratings (T_a=25

Maximum Instantaneous Forward Voltage (V _F)	0.95	1.3	1.7	1.85
Maximum Reverse Recovery Time (t _r)	35			
Maximum DC Reverse Current at Rated DC Blocking Voltage (I _R)	5			
	100			
Typical Junction Capacitance (C _j)	18	12	8	10
Operating Temperature Range	-55 ~ +150			

Electrical Characteristics (T_a=25 Unless otherwise specified)

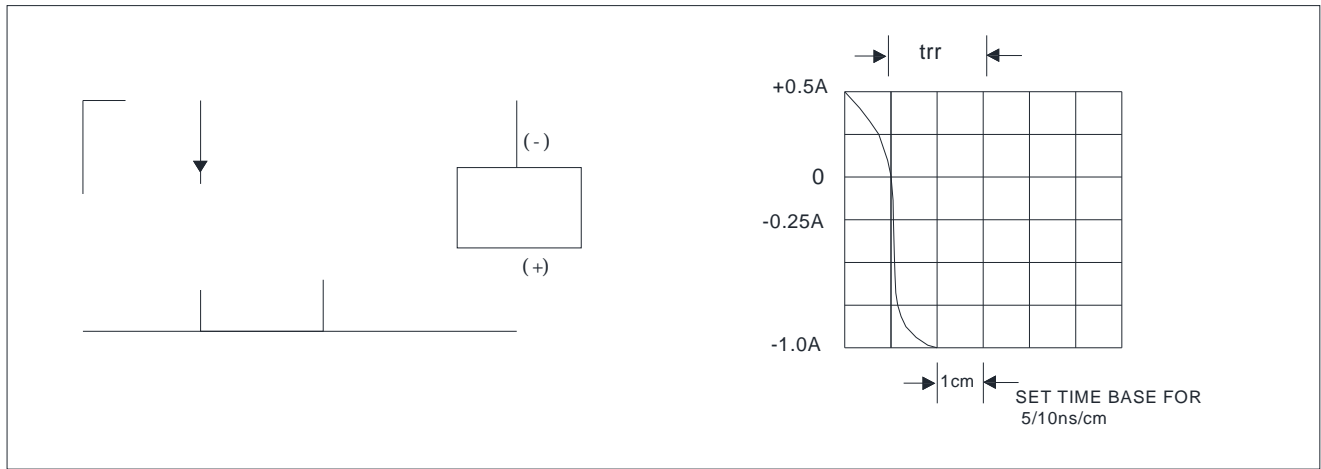
PARAMETER	SYMBOL	UNIT							E
Maximum instantaneous forward voltage	V _F	V	I _{FM} =1.0A	0.95	1.3	1.7	1.85		
Maximum reverse recovery time	t _r	ns	I _F =0.5A, I _R =1.0A, I _R =0.25A	35					
Maximum DC reverse current at rated DC blocking voltage	I _R	μA	T _j =25	5					
			T _j =125	100					
Typical junction capacitance	C _j	pF	Measured at 1MHz and Applied Reverse Voltage of 4.0 V.D.C	18	12	8	10		

ES1K



ES1A THRU ES1K

FIG.5: Diagram of circuit and Testing wave form of reverse recovery time



Ordering Information (Example)

PREFERED P/N	PACKAGE CODE	UNIT WEIGHT(g)	MINIMUM PACKAGE(pcs)	INNER BOX QUANTITY(pcs)	OUTER CARTON QUANTITY(pcs)	DELIVERY MODE
ES1A- ES1K	F1	Approximate 0.059	5000	/	80000	13" reel
ES1A- ES1K	F2	Approximate 0.059	7500	/	120000	13" reel
ES1A- ES1K	F3	Approximate 0.059	7500	/	60000	13" reel
ES1A- ES1K	F4	Approximate 0.059	1800	14400	57600	7" reel
ES1A- ES1K	F5	Approximate 0.059	2000	16000	64000	7" reel
ES1A- ES1K	F6	Approximate 0.059	5000	/	100000	13" reel

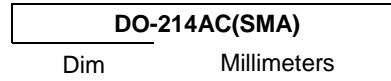
Outline Dimensions

DO-214AC(SMA)		
Dim	Min	Max
A	1.25	1.58
B	2.40	2.83
C	4.00	4.75
D	1.90	2.30
E	4.93	5.28
F	0.76	1.41
G	0.05	0.20
H	0.15	0.31
I	1.70	2.10



ES1A THRU ES1K

Suggested Pad Layout





Disclaimer

The information presented in this document is for reference only. Yangzhou Yangjie Electronic Technology Co., Ltd. reserves the right to make changes without notice for the specification of the products displayed herein to improve reliability, function or design or otherwise.

The product listed herein is designed to be used with ordinary electronic equipment or devices, and not designed to be used with equipment or devices which require high level of reliability and the malfunction of which would directly endanger human life (such as medical instruments, transportation equipment, aerospace machinery, nuclear-reactor controllers, fuel controllers and other safety devices), Yangjie or anyone on its behalf, assumes no responsibility or liability for any damages resulting from such improper use of sale.

This publication supersedes & replaces all information previously supplied. For additional information, please visit our website [http:// www.21yangjie.com](http://www.21yangjie.com) , or consult your nearest Yangjie's sales office for further assistance.